

Trap D • Spec Sheet

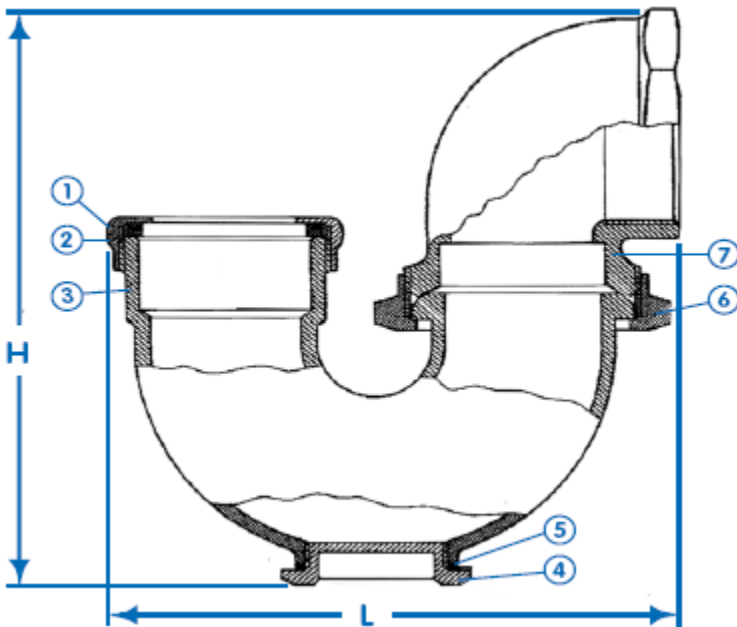


FEATURES & BENEFITS

- Cast Brass LA Trap
- IPS Connection
- With Cleanout
- Rough Brass Finish
- Also Available - Chrome Plated Finish
- ISO 9001:2000

DIMENSIONS

| Part # | Size | H | L |
|--------|---------------------|------|------|
| Trap-D | 1-1/2" FIP X 1-1/4" | 5.52 | 4.98 |



MATERIAL SPECIFICATIONS

| No. | Part | Material |
|-----|-------------|----------|
| 1 | Packing Nut | Brass |
| 2 | Packing | Rubber |
| 3 | Body | Brass |
| 4 | Bonnet | Brass |
| 5 | Packing | PTFE |
| 6 | Nipple Nut | Brass |
| 7 | Body | Brass |

